

Cable Termination Box

The Cable Termination Box is a small, weather resistant enclosure that allows easy field termination of AISG compliant adjustable electrical downtilt data cables.

- AISG compliant male circular data connector.
- Cast aluminum enclosure.
- Data cable length can be trimmed to the exact length desired on site.
- No special tools required.

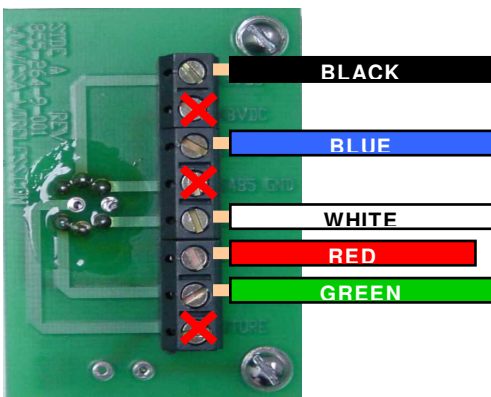
Pin No.	AISG Specified Use	5-wire cable	6-wire cable	8-wire cable
1	+12V DC	Black	Blue	Brown
2	-48V DC	Not used	Not used	Black
3	RS485 A	Blue	White	Red
4	RS 485 GND	Not used	Green	Orange
5	RS485 B	White	Brown	Yellow
6	+24V DC	Red	Red	Green
7	DC Return	Green	Black	Blue
8	Future use	Not used	Not used	White

Installation instructions:

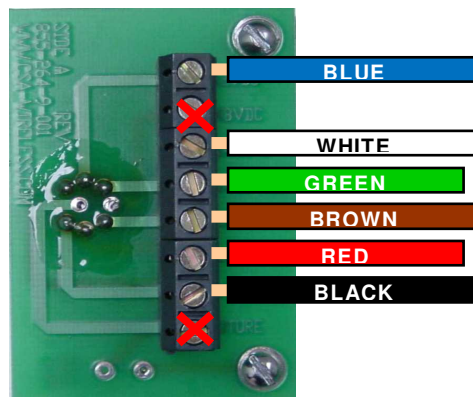
1. Mount cable termination box at desired location.
2. Route data cable into box through gland seal. Tighten seal.
3. Remove approximately 12 cm (5 inches) of cable outer jacket.
4. Twist outer braids together and terminate to GND screw in box.
5. Separate and strip approximately 6mm (¼ inch) insulation from end of each conductor.
6. Insert conductors into correct hole in termination block and tighten.
 - **USE CORRECT WIRING DIAGRAM!!!**
 - **WIRING FOR OTHER MANUFACTURER'S AISG CABLES MAY BE DIFFERENT!!!**
7. Carefully fold conductors into the box and attach the faceplate.
8. Attach box foam seal and lid.



**Wiring Diagram:
5 wire cable**



**Wiring Diagram:
6 wire cable**



**Wiring Diagram:
8 wire cable**

