

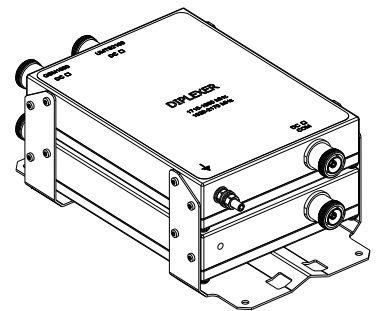
- Used for feeder combining (near BTS) or feeder splitting (near antenna)
- DC by-pass between COM and 2100 ports
- Built-in lightning protection on all ports
- Wall or pole mounting
- Can be mounted in any orientation
- Rejection in 2.4-2.9 GHz region

## DPX-201 DPX-203

**Diplexer**  
**1800 / 2100**  
single & dual unit

**Variants:** **DPX-201:** single unit  
**DPX-203:** dual unit

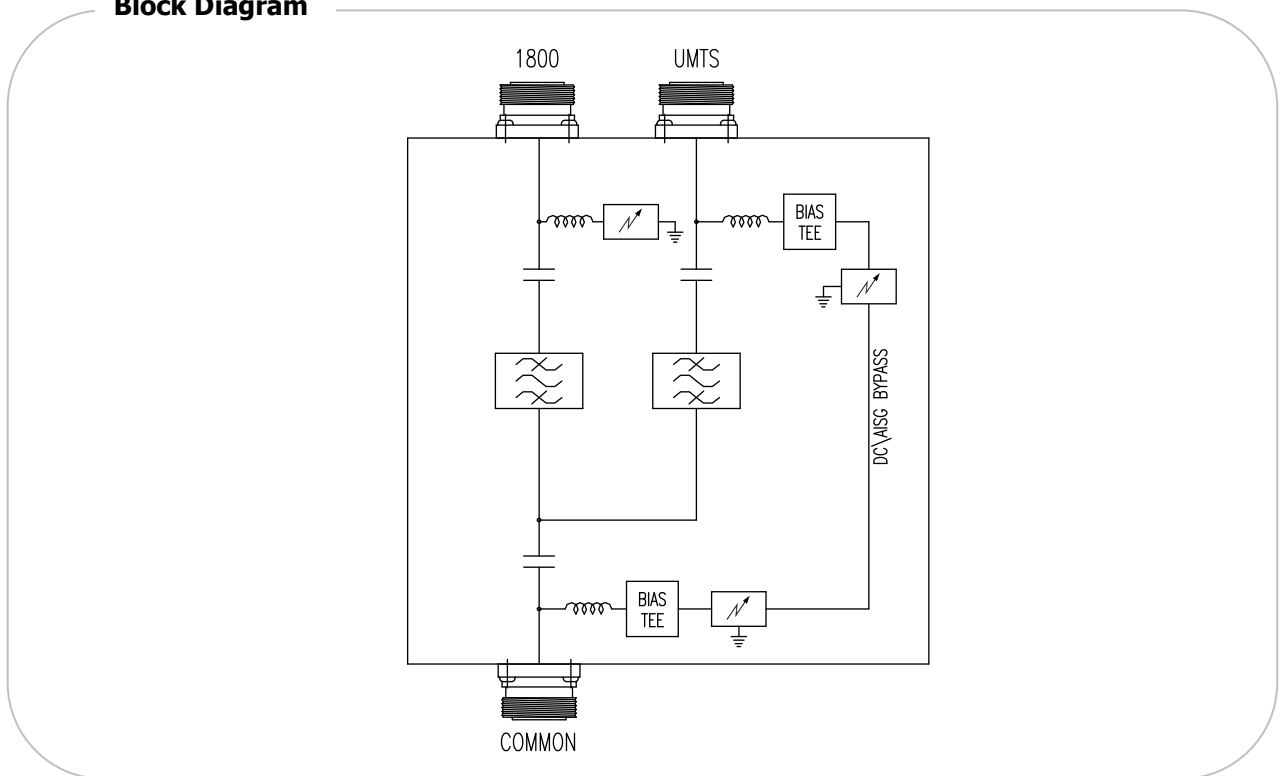
Electrical Specifications	
<b>1800 Channel</b>	
Passband	1710 - 1880 MHz
Insertion Loss	0.20 dB typ. (0.3 dB max )
Common Port Return Loss	18.0 dB min
Channel Port Return Loss	18.0 dB min
Attenuation from COM port to channel port:	
800 - 960 MHz	75 dB min
1920 - 1980 MHz	50dB min
2110 - 2170 MHz	65 dB min
2400 - 2700 MHz	65 dB min
2700 - 2900 MHz	75 dB min
<b>2100 Channel</b>	
Passband	1920 - 2170 MHz
Insertion Loss	0.20 dB typ. (0.3 dB max)
Common Port Return Loss	18.0 dB min
Channel Port Return Loss	18.0 dB min
Group Delay Variation (any 5 MHz)	5 ns max
Attenuation from COM port to channel port:	
800 - 960 MHz	75 dB min
1710 - 1880 MHz	50 dB min
2400 - 2700 MHz	45 dB min
2700 - 2900 MHz	75 dB min
<b>Other Characteristics</b>	
Nominal impedance	50 ohms
Power Ratings:	
1800 channel	250 W avg, 1000W peak max
2100 channel	100 W avg, 1000W peak max
Intermodulation products 800/900, 1800, UMTS	< -155 dBc (2x 20W, 3 <sup>rd</sup> order)
DC/AISG path	Common port to UMTS2100 port
AISG & 3GPP modulation compatible	Yes
Max DC current	2.5 A
<b>Environmental</b>	
Maximum Operating Temperature Range	-40 to +60 °C
Environmental rating	Outdoor, IP67
Lightning Protection, RF & AISG ports	3 kA, 10/350µs pulse (IEC 61312) all ports
RoHS compliant	Yes
MTBF	>700,000 hours



**DPX-201  
DPX-203**

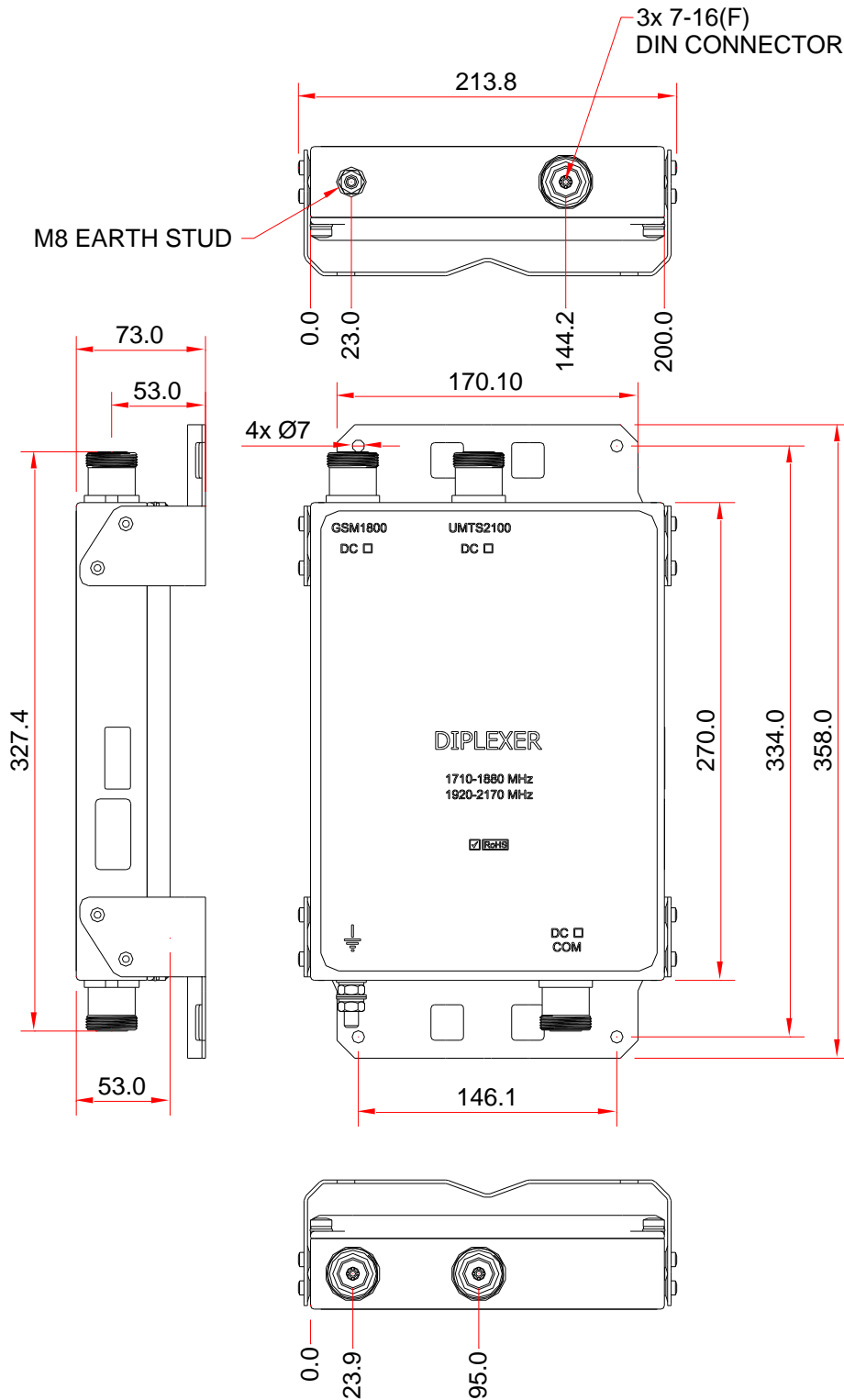
<b>Mechanical</b>	
Dimensions (excluding connectors and mounting bracket)	270 (H) x 200 (W) x 55 (D) mm see single and dual unit diagrams
Weight	4,8 kg, single unit
Finish	Painted, light grey (RAL7035)
Connectors	DIN 7-16 (F) x 3 "Long Neck", single unit
Mounting	Any orientation, pole / wall bracket included with two metal clamps for 45-178 mm diameter poles.

**Block Diagram**



**DPX-201  
DPX-203**

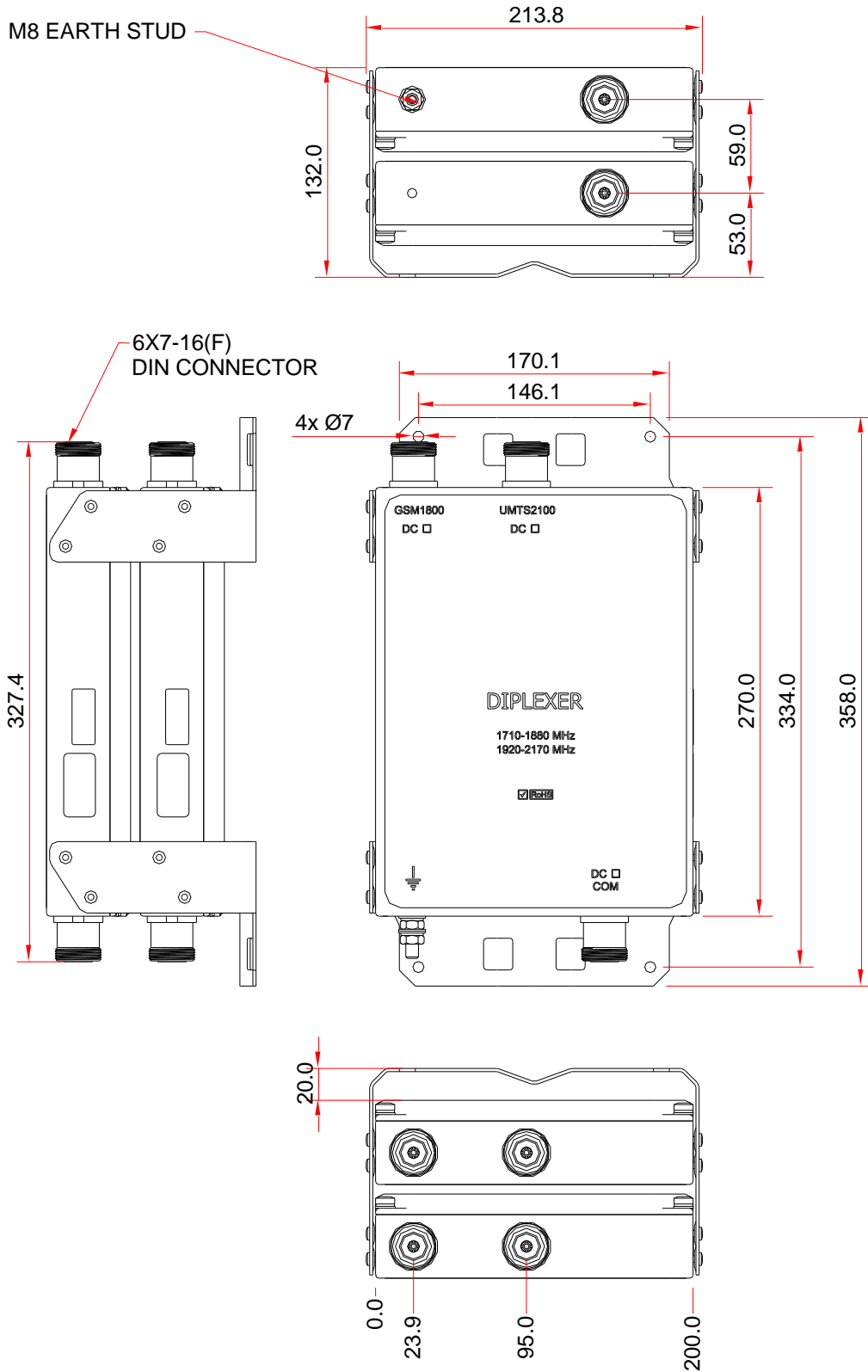
**Mechanical DPX-201 (single unit)**



DT 5338 - Ed C - page 4/5 - We reserve the rights to modify our products without prior notice.

**DPX-201  
DPX-203**

**Mechanical DPX-203 (dual unit)**



DT 5338 - Ed C - page 5/5 - We reserve the rights to modify our products without prior notice.