

- Used for feeder combining (near BTS) or feeder splitting (near antenna)
- Very low insertion loss
- DC by-pass between COM and 1800-2100 ports
- Wall or pole mounting
- Can be mounted in any orientation

## DPX-004 DPX-005

**Diplexer**  
**800-900 / 1800-1900-2100**  
single & dual unit

**Variants:** **DPX-004:** single unit  
**DPX-005:** dual unit

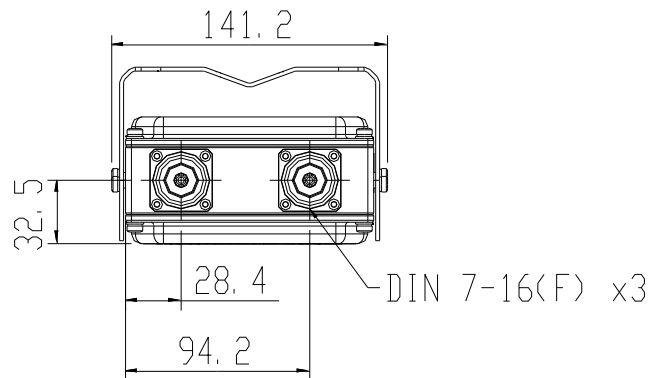
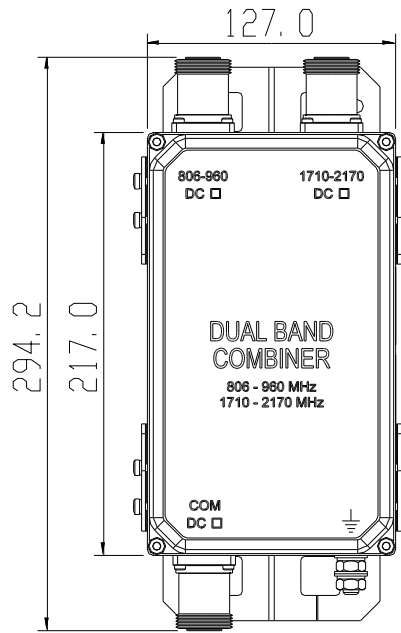
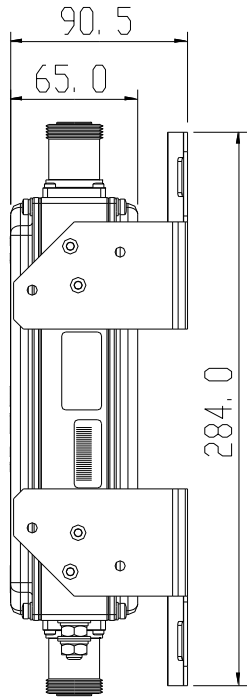
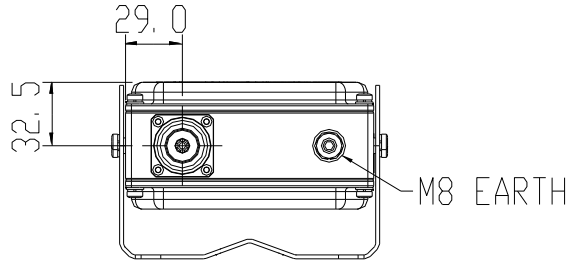
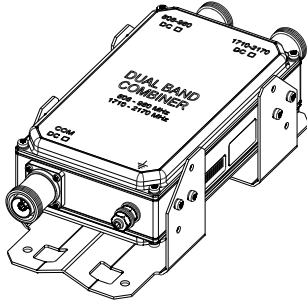
Electrical Specifications	
<b>800-900 Channel</b>	
Passband	806 - 960 MHz
Insertion Loss	0.1 dB typ. (0.15 dB max )
Common Port Return Loss	20.0 dB min
Channel Port Return Loss	20.0 dB min
Attenuation from COM to channel port:	
1710 - 2170 MHz	60 dB min
<b>1800-1900-2100 Channel</b>	
Passband	1710 - 2170 MHz
Insertion Loss	0.2 dB typ. (0.3 dB max)
Common Port Return Loss	20.0 dB min
Channel Port Return Loss	20.0 dB min
Attenuation from COM to channel port:	
806 - 960 MHz	50 dB min
<b>Other Characteristics</b>	
Nominal impedance	50 ohms
Power Ratings:	
900 channel	200 W avg, 1200W peak max
1800-1900-2100 channel	100 W avg, 840W peak max
Intermodulation products 800/900, 1800, UMTS	< -155 dBc (2x 20W, 3 <sup>rd</sup> order)
DC/AISG path	Common port to UMTS2100 port
AISG & 3GPP modulation compatible	Yes
Max DC current	2.5 A
<b>Environmental</b>	
Maximum Operating Temperature Range	-40 to +60 °C
Environmental rating	Outdoor, IP67
Surge Protection	8 kA, 8/20µs pulse
RoHS compliant	Yes
MTBF	>500,000 hours
<b>Mechanical</b>	
Dimensions (excluding connectors and mounting bracket)	217 (H) x 127 (W) x 65 (D) mm see single and dual unit diagrams
Weight	4 kg single unit
Finish	Painted, light grey (RAL7035)
Connectors	DIN 7-16 (F) x 3 "Long Neck", single unit
Mounting	Any orientation, pole / wall bracket included with two metal clamps for 45-178 mm diameter poles.



DT 5337 - Ed D - page 2/4 - We reserve the rights to modify our products without prior notice.

**DPX-004  
DPX-005**

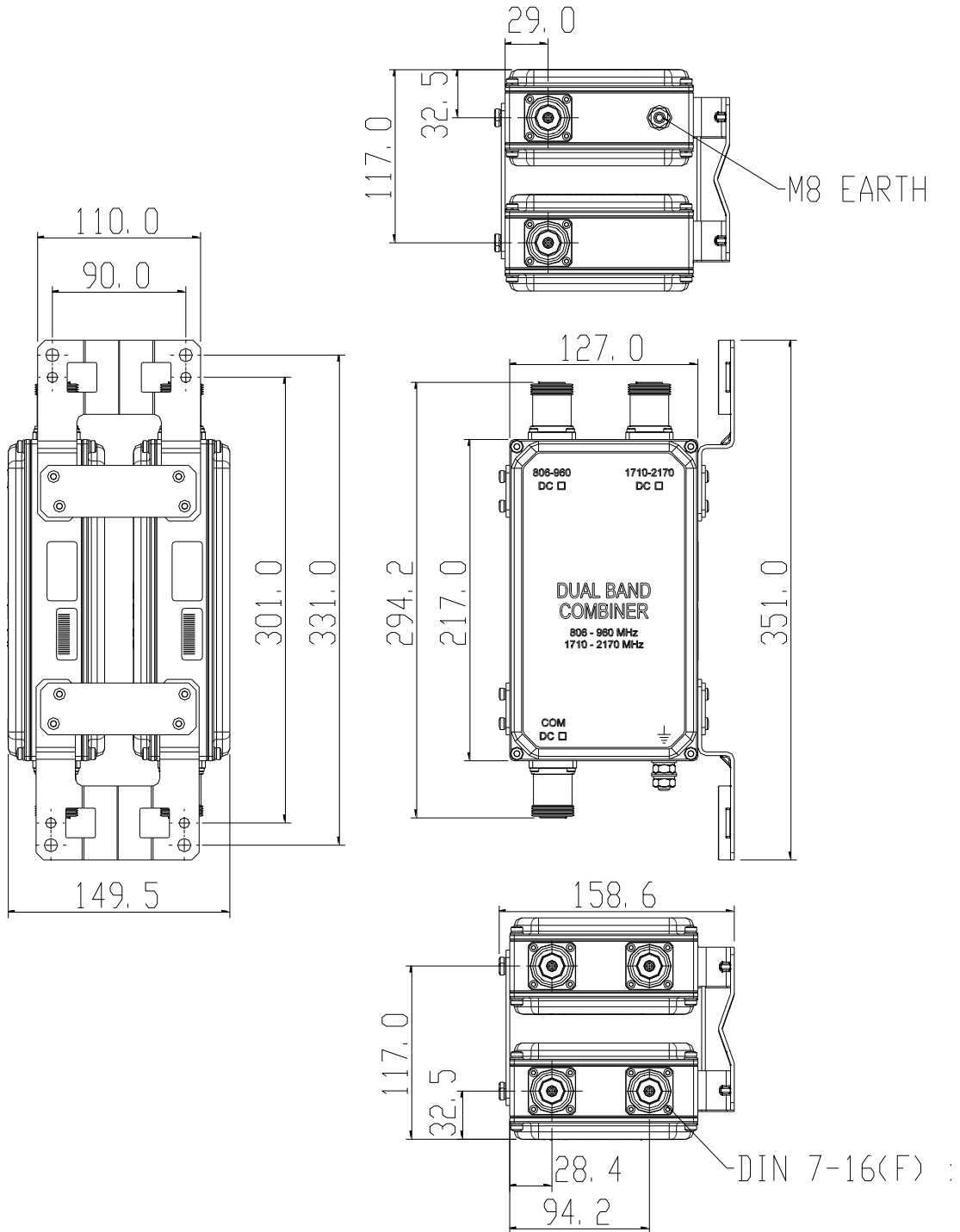
**Mechanical DPX-004 (single unit)**



DT 5337 - Ed D - page 3/4 - We reserve the rights to modify our products without prior notice.

**DPX-004  
DPX-005**

**Mechanical DPX-005 (dual unit)**



DT 5337 - Ed D - page 4/4 - We reserve the rights to modify our products without prior notice.