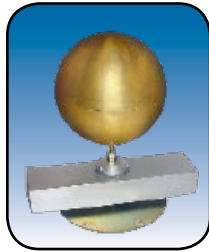


## Unicell and Trio Accessories

### Flag Adapter Kits



In order to simplify deploying Unicells and Trios as flagpoles, Jaybeam Wireless has designed custom ball and truck assemblies to be used with each diameter. Each kit includes a 12-inch diameter anodized aluminum gold ball and a welded aluminum truck assembly that is large enough to clear the diameter of the Unicell or Trio enclosure.

The truck assembly bolts directly to the top of the Unicell or Trio flange and provides two pulleys for redundant halyard attachment.

### Lightning Protection Kit

The lightning protection kit is an 18-inch copper air terminal with a 20-ft section of #4 AWG braided copper cable pre-attached.



A threaded adapter attaches and secures the air terminal to the center of the Unicell or Trio top cap plate, allowing the copper cable to run down the center and out the bottom of the Unicell or Trio structure. The cable can be trimmed to the desired length and attached to the tower grounding system.

### Cable Support Kits

Three steel plates able to mount inside a cable access canister with holes to accept standard coaxial cable snap hooks.

### Grounding Bus Bar Kits

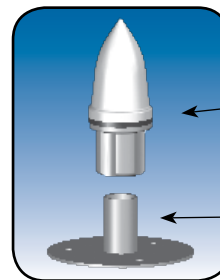
Copper grounding bar sized to fit inside cable access canister cover with insulated supports.

### Cable Hanger Kit

Bolt-on hooks that mount inside cable access canister to support standard cable hanging grips.

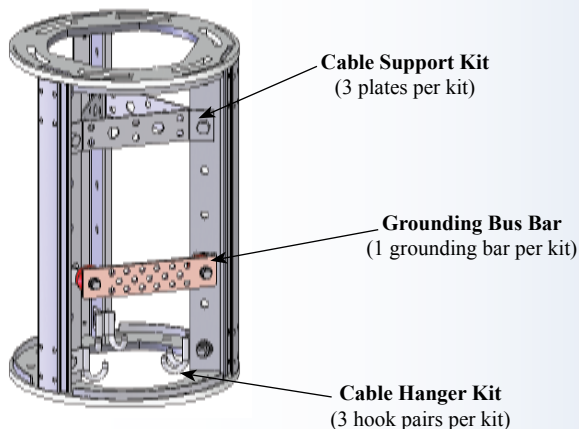
### GPS Mounting Kit

Jaybeam Wireless can provide custom mounting kits that allow standard GPS antennas to be attached to the top of the Unicell or Trio module. Please contact Jaybeam Wireless Customer Service for more information.



Customer supplied  
GPS Antenna

GPS Mount



### TMA Mounting Kits

Mounting kits are available to attach 3 or more off-the-shelf TMA's inside a standard cable access canister. Please contact Jaybeam Wireless Customer Service for more information on available configurations.

