

TTA-GH0001

GSM1800 Full Band, Dual Duplex, Twin TMA



- Small, low weight, twin unit
- Dual duplex
- Full band GSM1800
- Improved base station sensitivity
- High linearity
- Lightning protected
- High reliability
- Fail-safe bypass mode
- Ideal for X-Pol systems
- Optional AISG compatibility



TECHNICAL CHARACTERISTICS

Downlink (TX) Path

Frequency Band	1805 – 1880 MHz
Insertion Loss	0.3 dB typ.
Return Loss, all ports	18 dB min (VSWR < 1.3:1)
Continuous Average Power	200W max.
Peak Envelope Power	750W max.
Intermodulation, 2x 43 dBm Tx Carriers, BTS port	-110 dBm max. in RX band, ANT port

Uplink (RX) Path

Frequency Band	1710 – 1785 MHz
Gain	12 dB nominal
Gain Ripple	± 1.0 dB max.
Noise Figure	1.6 dB typ.
Return Loss, normal mode, all ports	18 dB min (VSWR < 1.3:1)
Insertion Loss, Bypass mode	2 dB typ.
Return Loss, Bypass mode, all ports	14 dB min (VSWR < 1.5:1)
Output Intercept Point	28 dBm min.
Maximum Input Power with no damage	12 dBm

Power Supply and Alarm

DC Supply Voltage via BTS-RF cable	+10 to +14 V DC
DC supply current, normal mode	125 mA at 12V DC
DC supply current, alarm mode	225 ± 25 mA at 12V DC (consult us for BTS compatibility)

Environmental

Operating Temperature Range	-40 to +65°C
Environmental Sealing - Housing	IP65 Ventilated
Environmental Sealing - Connectors	IP67
Lightning Protection	±10 kA, 8/20 µs max. to IEC61000-4-5
MTBF	>500,000 hours

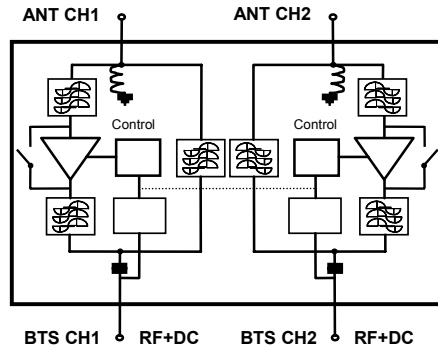
Mechanical

¹ Dimensions	236 (H) x 168 (W) x 67 (D) mm
Weight	4.5 kg
Connectors	DIN 7-16 (F) x 4 long shank
Mounting	Vertical, Pole / Wall

¹ Excluding connectors, and mounting bracket extension

TTA-GH0001

GSM1800 Full Band, Dual Duplex, Twin TMA



INSTALLATION

TTA-GH0001 is delivered with a wall/pole mounting bracket with a Quick Release metal clamp for 45-178mm diameter poles

MECHANICAL

